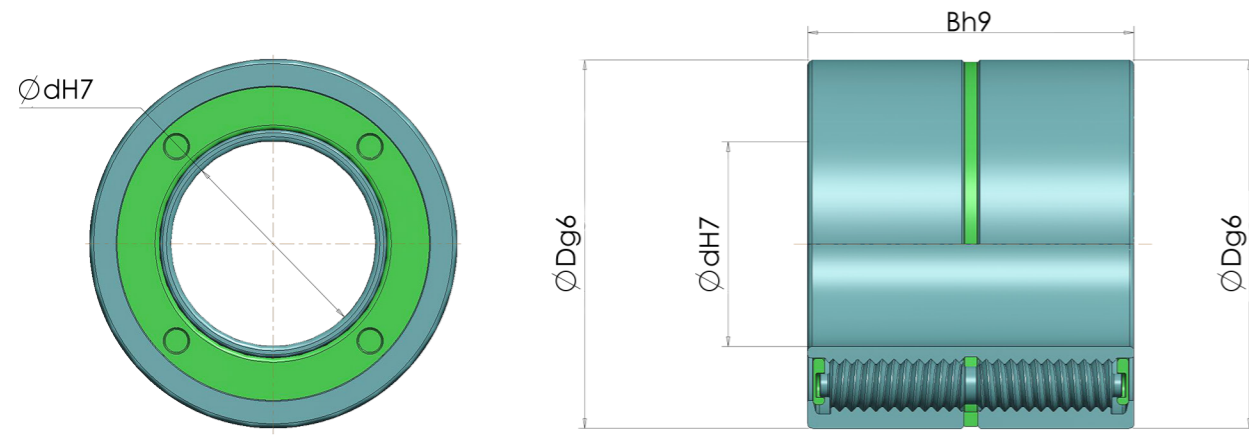
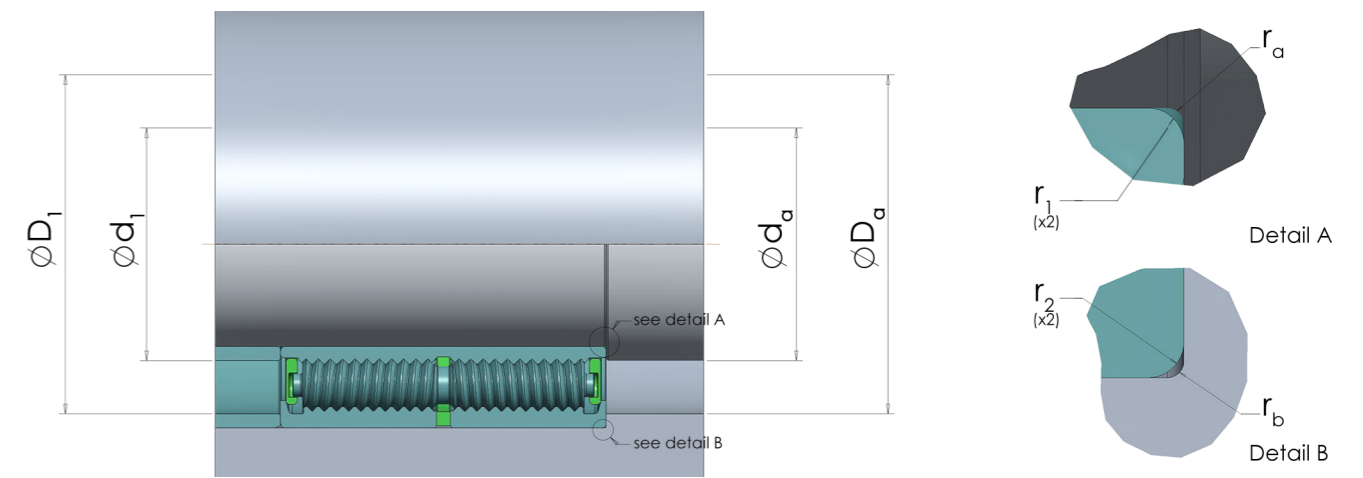


HIT – Twin Identical HRB
d 12 – 150 mm



HIT – Mounting on an end shaft



Principal dimensions			Basic load ratings		Lifetime benefit ⁽¹⁾	Speed ratings		Mass
d	D	B	dynamic	static		Reference speed	Limiting speed	
mm			C	C ₀	–	r/min	kg	
12	32	40	51	90	17x	25000	29100	0.18
15	35	44	61	115	15x	20000	23300	0.21
17	40	48	72	142	16x	17600	20500	0.31
20	47	56	138	258	50x	15000	17500	0.52
25	52	60	168	326	69x	12000	14000	0.61
30	62	64	199	401	32x	10000	11600	0.93
35	72	68	241	503	26x	8500	10000	1.31
40	80	72	276	593	24x	7500	8700	1.67
45	85	76	312	690	31x	6600	7700	1.84
50	90	80	425	821	67x	6000	7000	2.09
55	100	84	481	947	52x	5400	6300	2.70
60	110	88	538	1123	38x	5000	5800	3.50
65	120	92	587	1268	38x	4600	5300	4.34
70	125	96	617	1367	31x	4200	5000	4.75
75	130	100	679	1577	45x	4000	4600	5.06
80	140	104	820	1913	50x	3700	4300	6.17
85	150	112	912	2252	40x	3500	4100	7.78
90	160	120	1018	2656	37x	3300	3800	9.48
95	170	128	1115	3049	36x	3100	3600	11.60
100	180	136	1226	3515	35x	3000	3500	13.80
110	200	152	1442	4491	34x	2700	3100	19.27
120	215	160	1575	5110	48x	2500	2900	22.95
130	230	160	1630	5332	37x	2300	2600	25.82
140	250	168	1779	6058	40x	2100	2500	32.45
150	270	180	1974	7078	42x	2000	2300	40.97

Designations Herringbone Roller Bearing	Dimensions				Abutment and fillet			
	d	d ₁	D ₁	r _{1,2} max	d _a max	D _a min	r _a max	r _b max
–	mm							
HIT - 012	12	17	27	0.6	17	27	0.6	0.3
HIT - 015	15	20	30	0.6	20	30	0.6	0.3
HIT - 017	17	22	35	0.6	22	35	0.6	0.6
HIT - 020	20	26	41	1	26	41	1	0.6
HIT - 025	25	31	46	1	31	46	1	0.6
HIT - 030	30	36	56	1	36	56	1	0.6
HIT - 035	35	42	65	1.1	42	65	1	0.6
HIT - 040	40	47	73	1.1	47	73	1	0.6
HIT - 045	45	52	78	1.1	52	78	1	0.6
HIT - 050	50	57	83	1.1	57	83	1	0.6
HIT - 055	55	64	91	1.5	64	91	1.5	1
HIT - 060	60	69	101	1.5	69	101	1.5	1
HIT - 065	65	74	111	1.5	74	111	1.5	1
HIT - 070	70	79	116	1.5	79	116	1.5	1
HIT - 075	75	84	121	1.5	84	121	1.5	1
HIT - 080	80	91	129	2	91	129	2	1
HIT - 085	85	96	139	2	96	139	2	1
HIT - 090	90	101	149	2	101	149	2	1
HIT - 095	95	107	158	2.1	107	158	2	1
HIT - 100	100	112	168	2.1	112	168	2	1
HIT - 110	110	122	188	2.1	122	188	2	1
HIT - 120	120	132	203	2.1	132	203	2	1
HIT - 130	130	144	216	3	144	216	2.5	1
HIT - 140	140	154	236	3	154	236	2.5	1
HIT - 150	150	164	256	3	164	256	2.5	1

(¹): It compares the bearing with a set of 4xACBBs of the same dimensions

