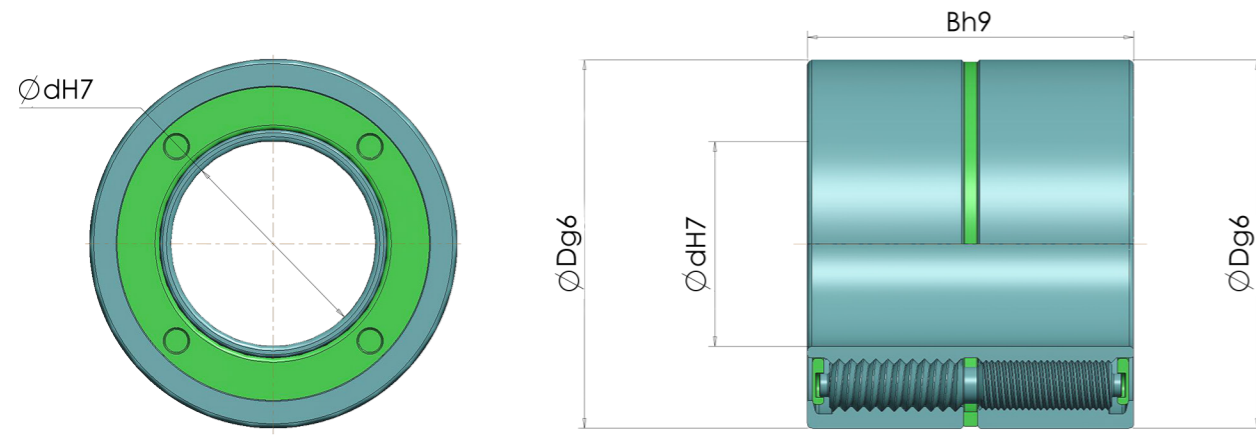
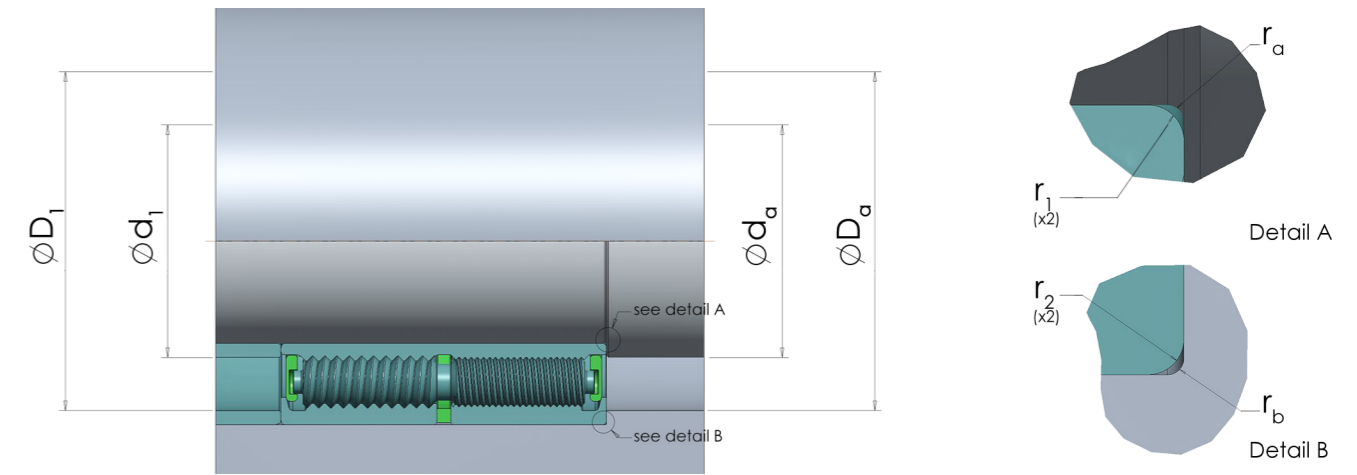


**HDT – Twin Differentiated HRB**  
d 12 – 150 mm



**HDT – Mounting on an end shaft**



Principal dimensions			Basic load ratings		Lifetime benefit <sup>(1)</sup>	Speed ratings		Mass
d	D	B	C	C <sub>0</sub>		Reference speed	Limiting speed	
mm			kN		–	r/min		kg
12	32	40	67	126	38x	25000	29100	0.18
15	35	44	81	160	34x	20000	23300	0.21
17	40	48	95	199	35x	17600	20500	0.31
20	47	56	182	359	113x	15000	17500	0.52
25	52	60	221	455	157x	12000	14000	0.61
30	62	64	262	560	72x	10000	11600	0.93
35	72	68	318	702	60x	8500	10000	1.31
40	80	72	363	828	55x	7500	8700	1.67
45	85	76	411	963	70x	6600	7700	1.84
50	90	80	560	1143	152x	6000	7000	2.09
55	100	84	639	1344	123x	5400	6300	2.70
60	110	88	709	1565	87x	5000	5800	3.50
65	120	92	773	1767	88x	4600	5300	4.34
70	125	96	820	1936	72x	4200	5000	4.75
75	130	100	894	2199	102x	4000	4600	5.06
80	140	104	1091	2717	117x	3700	4300	6.17
85	150	112	1213	3194	93x	3500	4100	7.78
90	160	120	1353	3762	88x	3300	3800	9.48
95	170	128	1480	4316	83x	3100	3600	11.60
100	180	136	1626	4971	81x	3000	3500	13.80
110	200	152	1912	6344	79x	2700	3100	19.27
120	215	160	2086	7214	112x	2500	2900	22.95
130	230	160	2159	7528	87x	2300	2600	25.82
140	250	168	2356	8548	92x	2100	2500	32.45
150	270	180	2613	9982	98x	2000	2300	40.97

Designations Herringbone Roller Bearing	Dimensions				Abutment and fillet			
	d	d <sub>1</sub>	D <sub>1</sub>	r <sub>1,2</sub> max	d <sub>a</sub> max	D <sub>a</sub> min	r <sub>a</sub> max	r <sub>b</sub> max
–	mm							
HDT - 012	12	17	27	0.6	17	27	0.6	0.3
HDT - 015	15	20	30	0.6	20	30	0.6	0.3
HDT - 017	17	22	35	0.6	22	35	0.6	0.6
HDT - 020	20	26	41	1	26	41	1	0.6
HDT - 025	25	31	46	1	31	46	1	0.6
HDT - 030	30	36	56	1	36	56	1	0.6
HDT - 035	35	42	65	1.1	42	65	1	0.6
HDT - 040	40	47	73	1.1	47	73	1	0.6
HDT - 045	45	52	78	1.1	52	78	1	0.6
HDT - 050	50	57	83	1.1	57	83	1	0.6
HDT - 055	55	64	91	1.5	64	91	1.5	1
HDT - 060	60	69	101	1.5	69	101	1.5	1
HDT - 065	65	74	111	1.5	74	111	1.5	1
HDT - 070	70	79	116	1.5	79	116	1.5	1
HDT - 075	75	84	121	1.5	84	121	1.5	1
HDT - 080	80	91	129	2	91	129	2	1
HDT - 085	85	96	139	2	96	139	2	1
HDT - 090	90	101	149	2	101	149	2	1
HDT - 095	95	107	158	2.1	107	158	2	1
HDT - 100	100	112	168	2.1	112	168	2	1
HDT - 110	110	122	188	2.1	122	188	2	1
HDT - 120	120	132	203	2.1	132	203	2	1
HDT - 130	130	144	216	3	144	216	2.5	1
HDT - 140	140	154	236	3	154	236	2.5	1
HDT - 150	150	164	256	3	164	256	2.5	1

(<sup>1</sup>): It compares the bearing with a set of 4xACBBs of the same dimensions

