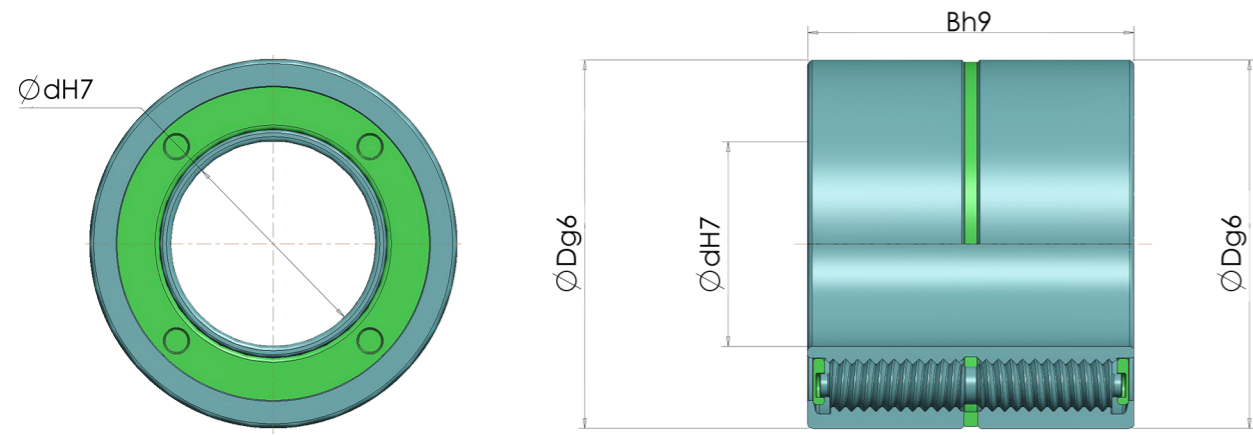


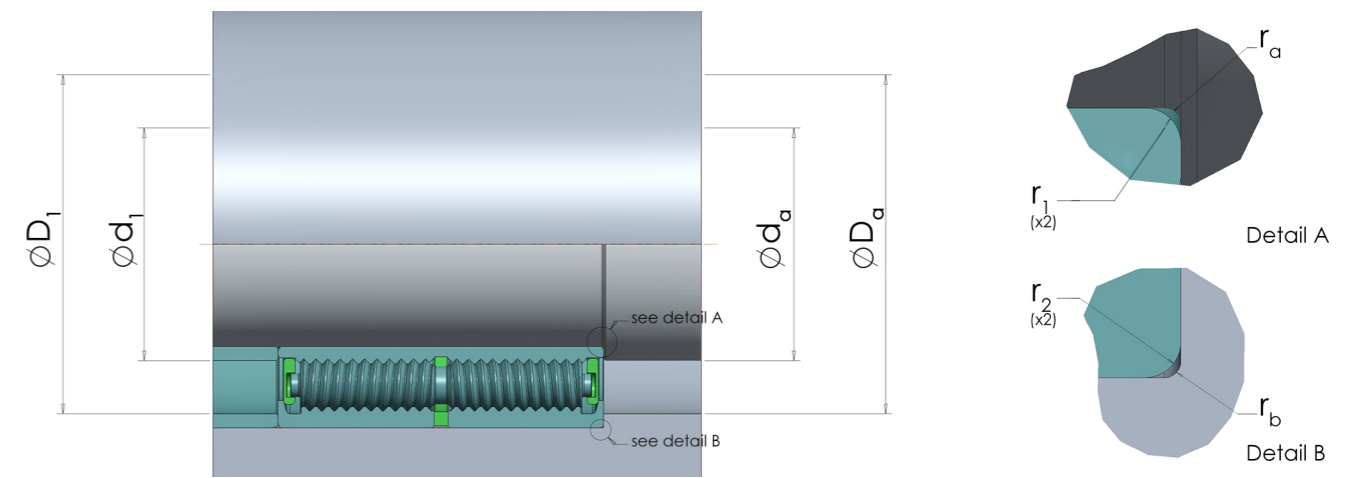
HHT – Twin High-Capacitive HRB
d 12 – 150 mm



Principal dimensions			Basic load ratings		Lifetime benefit ⁽¹⁾	Speed ratings		Mass
d	D	B	C	C ₀		Reference speed	Limiting speed	
mm			kN		–	r/min		kg
12	37	48	66	90	14x	25000	29100	0.30
15	42	52	81	115	13x	20000	23300	0.40
17	47	56	94	142	12x	17600	20500	0.54
20	52	60	159	308	32x	15000	17500	0.72
25	62	68	206	430	26x	12000	14000	1.13
30	72	76	260	578	22x	10000	11600	1.65
35	80	84	314	736	24x	8500	10000	2.18
40	90	92	374	920	23x	7500	8700	2.98
45	100	100	437	1123	20x	6600	7700	3.96
50	110	108	640	1483	34x	6000	7000	5.12
55	120	116	726	1788	34x	5400	6300	6.50
60	130	124	814	2122	27x	5000	5800	8.11
65	140	132	885	2399	25x	4600	5300	9.97
70	150	140	983	2805	26x	4200	5000	12.01
75	160	148	1078	3219	30x	4000	4600	14.40
80	170	156	1324	4041	44x	3700	4300	17.14
85	180	164	1431	4535	43x	3500	4100	20.14
90	190	172	1546	5087	45x	3300	3800	23.36
95	200	180	1657	5639	43x	3100	3600	27.02
100	215	188	1783	6285	31x	3000	3500	33.26
110	240	200	1997	7422	32x	2700	3100	44.53
120	260	220	2273	9022	48x	2500	2900	57.15
130	280	232	2485	10292	40x	2300	2600	69.37
140	300	240	2653	11323	38x	2100	2500	82.09
150	320	268	3041	13931	43x	2000	2300	103.57

(¹): It compares the bearing with a set of 4xACBBs of the same dimensions

HHT – Mounting on an end shaft



Designations Herringbone Roller Bearing	Dimensions				Abutment and fillet			
	d	d ₁	D ₁	r _{1,2} max	d _a max	D _a min	r _a max	r _b max
–	mm							
HHT - 012	12	18	31	1	18	31	1	0.6
HHT - 015	15	21	36	1	21	36	1	0.6
HHT - 017	17	23	41	1	23	41	1	0.6
HHT - 020	20	27	45	1.1	27	45	1	0.6
HHT - 025	25	32	55	1.1	32	55	1	0.6
HHT - 030	30	37	65	1.1	37	65	1	0.6
HHT - 035	35	44	71	1.5	44	71	1.5	0.6
HHT - 040	40	49	81	1.5	49	81	1.5	0.6
HHT - 045	45	54	91	1.5	54	91	1.5	0.6
HHT - 050	50	61	99	2	61	99	2	0.6
HHT - 055	55	66	109	2	66	109	2	1
HHT - 060	60	72	118	2.1	72	118	2	1
HHT - 065	65	77	128	2.1	77	128	2	1
HHT - 070	70	82	138	2.1	82	138	2	1
HHT - 075	75	87	148	2.1	87	148	2	1
HHT - 080	80	92	158	2.1	92	158	2	1
HHT - 085	85	99	166	3	99	166	2.5	1
HHT - 090	90	104	176	3	104	176	2.5	1
HHT - 095	95	109	186	3	109	186	2.5	1
HHT - 100	100	114	201	3	114	201	2.5	1
HHT - 110	110	124	226	3	124	226	2.5	1
HHT - 120	120	134	246	3	134	246	2.5	1
HHT - 130	130	147	263	4	147	263	3	1.5
HHT - 140	140	157	283	4	157	283	3	1.5
HHT - 150	150	167	303	4	167	303	3	1.5

