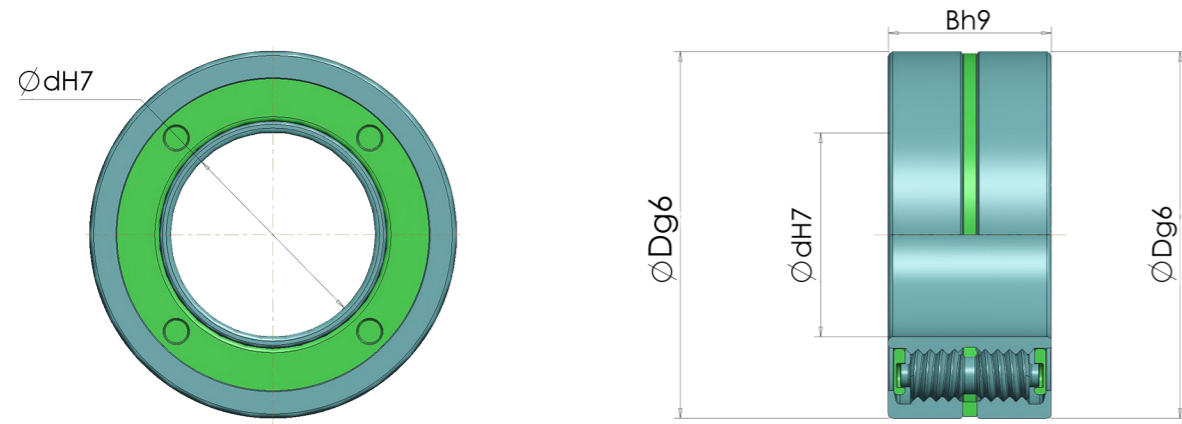


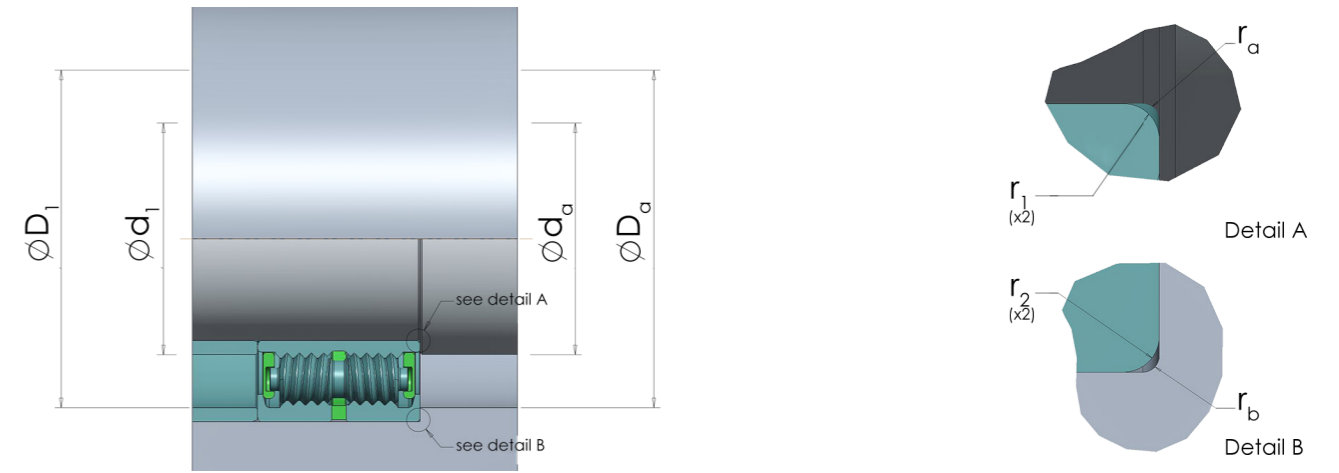
HIS – Single Identical HRB
d 12 – 150 mm



Principal dimensions			Basic load ratings		Lifetime benefit ⁽¹⁾	Speed ratings		Mass
d	D	B	C	C ₀		Reference speed	Limiting speed	
mm			kN		–	r/min		kg
12	32	20	19	17	4x	25000	29100	0.09
15	35	22	24	24	4x	20000	23300	0.11
17	40	24	30	33	5x	17600	20500	0.16
20	47	28	55	58	13x	15000	17500	0.27
25	52	30	69	77	20x	12000	14000	0.32
30	62	32	84	97	10x	10000	11600	0.48
35	72	34	105	124	9x	8500	10000	0.68
40	80	36	122	150	9x	7500	8700	0.86
45	85	38	141	178	12x	6600	7700	0.96
50	90	40	176	182	20x	6000	7000	1.09
55	100	42	191	191	14x	5400	6300	1.41
60	110	44	222	242	11x	5000	5800	1.82
65	120	46	258	302	14x	4600	5300	2.26
70	125	48	262	306	10x	4200	5000	2.47
75	130	50	295	369	16x	4000	4600	2.64
80	140	52	339	407	15x	3700	4300	3.24
85	150	56	390	510	13x	3500	4100	4.06
90	160	60	447	630	13x	3300	3800	4.94
95	170	64	499	756	14x	3100	3600	6.02
100	180	68	559	899	14x	3000	3500	7.15
110	200	76	677	1213	15x	2700	3100	9.94
120	215	80	747	1403	22x	2500	2900	11.83
130	230	80	773	1443	17x	2300	2600	13.31
140	250	84	853	1659	19x	2100	2500	16.70
150	270	90	983	2079	22x	2000	2300	21.03

(¹): It compares the bearing with a set of 2xACBBs of the same dimensions

HIS – Mounting on an end shaft



Designations Herringbone Roller Bearing	Dimensions				Abutment and fillet			
	d	d ₁	D ₁	r _{1,2} max	d _a max	D _a min	r _a max	r _b max
–	mm							
HIS - 012	12	17	27	0.6	17	27	0.6	0.3
HIS - 015	15	20	30	0.6	20	30	0.6	0.3
HIS - 017	17	22	35	0.6	22	35	0.6	0.6
HIS - 020	20	26	41	1	26	41	1	0.6
HIS - 025	25	31	46	1	31	46	1	0.6
HIS - 030	30	36	56	1	36	56	1	0.6
HIS - 035	35	42	65	1.1	42	65	1	0.6
HIS - 040	40	47	73	1.1	47	73	1	0.6
HIS - 045	45	52	78	1.1	52	78	1	0.6
HIS - 050	50	57	83	1.1	57	83	1	0.6
HIS - 055	55	64	91	1.5	64	91	1.5	1
HIS - 060	60	69	101	1.5	69	101	1.5	1
HIS - 065	65	74	111	1.5	74	111	1.5	1
HIS - 070	70	79	116	1.5	79	116	1.5	1
HIS - 075	75	84	121	1.5	84	121	1.5	1
HIS - 080	80	91	129	2	91	129	2	1
HIS - 085	85	96	139	2	96	139	2	1
HIS - 090	90	101	149	2	101	149	2	1
HIS - 095	95	107	158	2.1	107	158	2	1
HIS - 100	100	112	168	2.1	112	168	2	1
HIS - 110	110	122	188	2.1	122	188	2	1
HIS - 120	120	132	203	2.1	132	203	2	1
HIS - 130	130	144	216	3	144	216	2.5	1
HIS - 140	140	154	236	3	154	236	2.5	1
HIS - 150	150	164	256	3	164	256	2.5	1

